

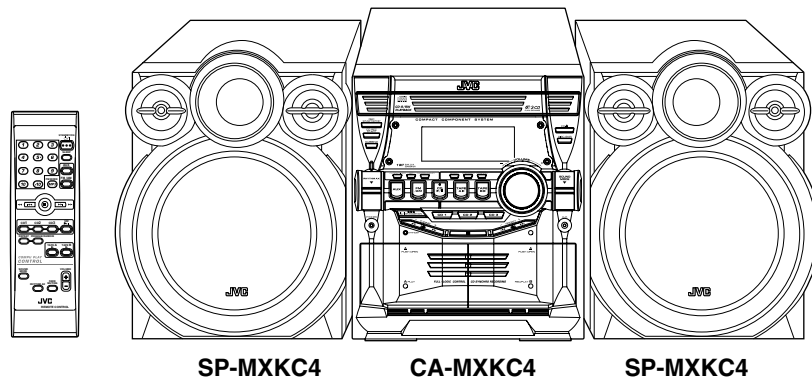
JVC

SCHEMATIC DIAGRAMS

COMPACT COMPONENT SYSTEM

MX-KC4

CD-ROM No.SML200504



SP-MXKC4

CA-MXKC4

SP-MXKC4

COMPACT
disc
DIGITAL AUDIO

Area suffix

J ----- U.S.A.
C ----- Canada

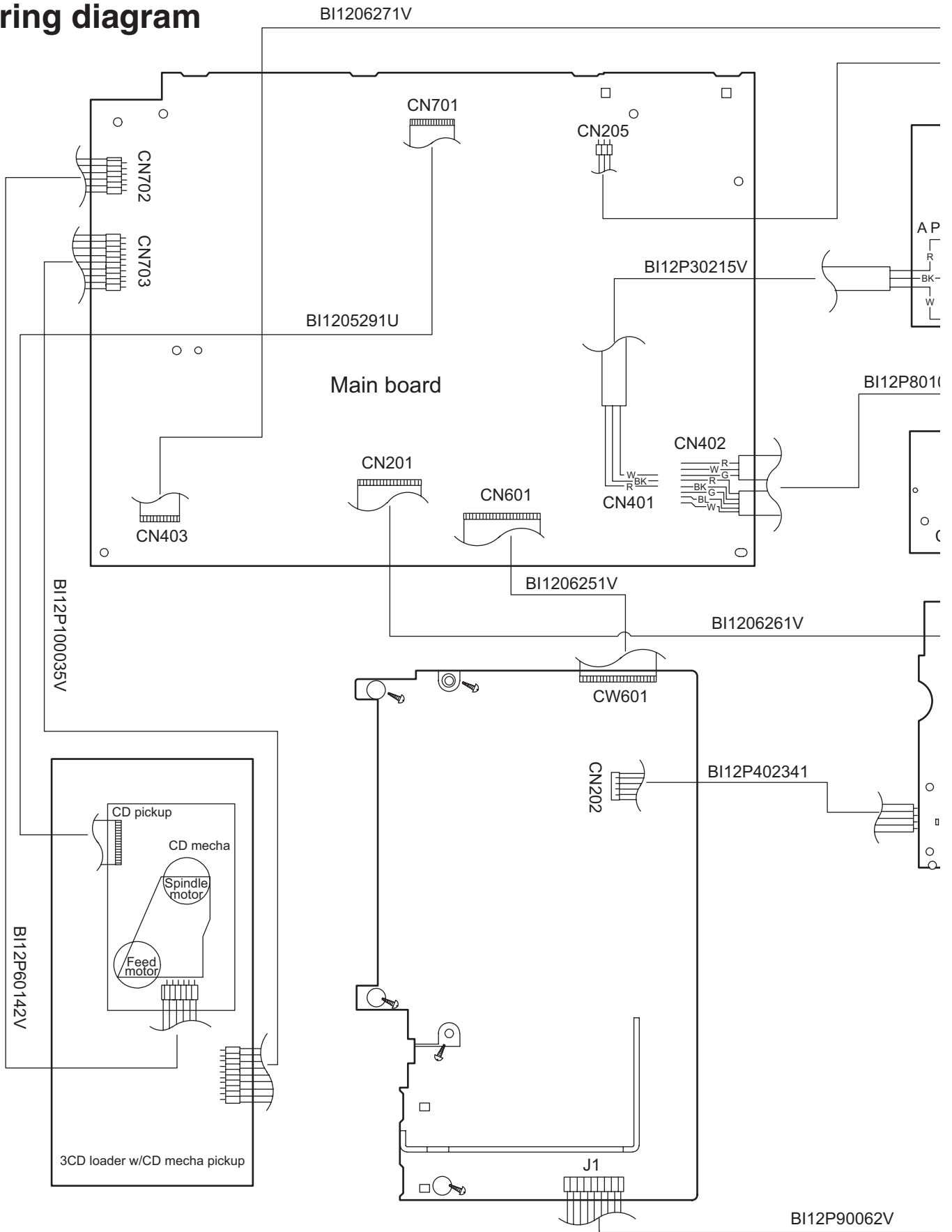
Contents

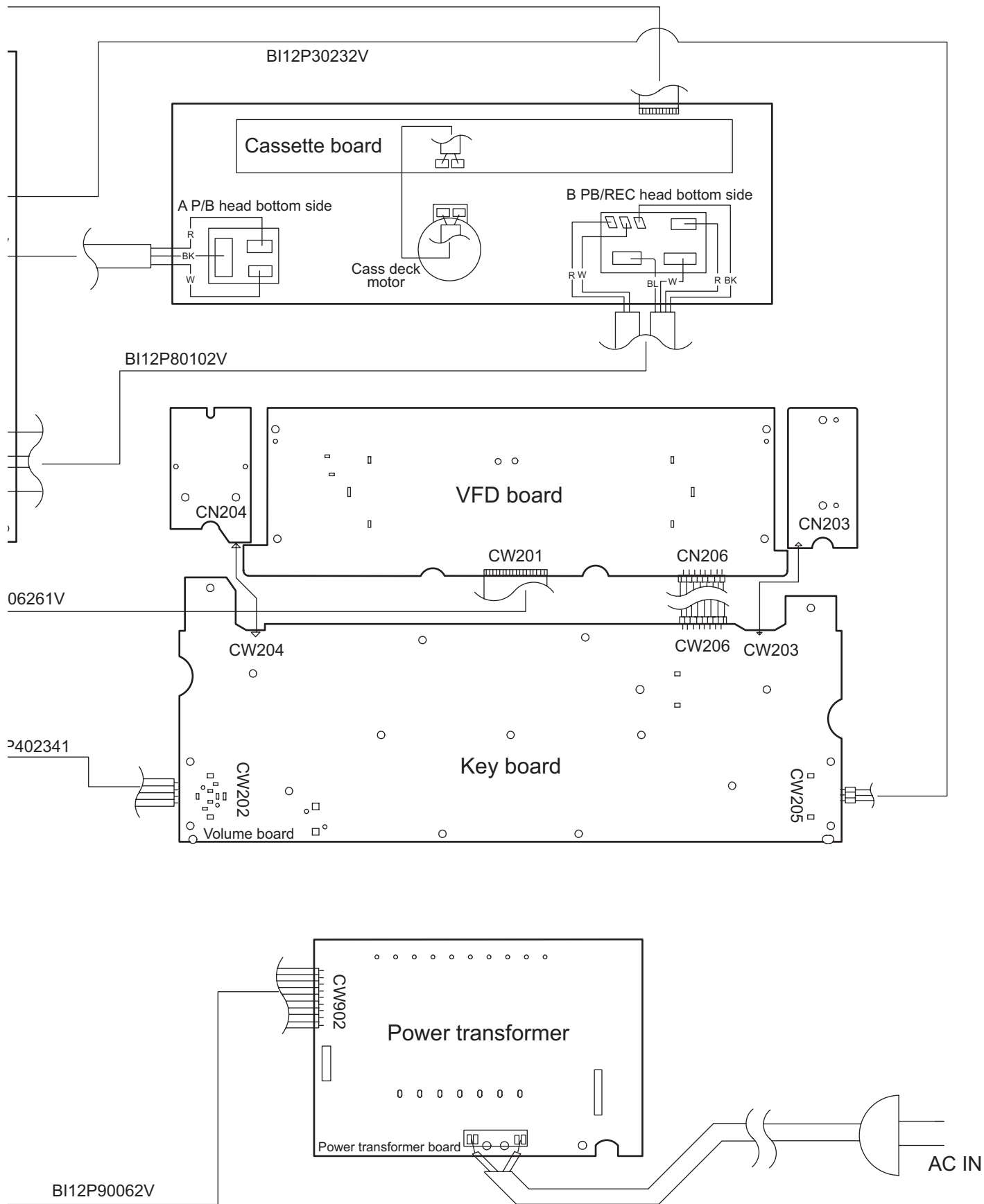
□ □ □	
Wiring diagram	2-1
Block diagram	2-3
Standard schematic diagrams	2-5
Printed circuit boards	2-17 to 25

In regard with component parts appearing on the silk-screen printed side (parts side) of the PWB diagrams, the parts that are printed over with black such as the resistor (■), diode (▣) and ICP (●) or identified by the "Δ" mark nearby are critical for safety.

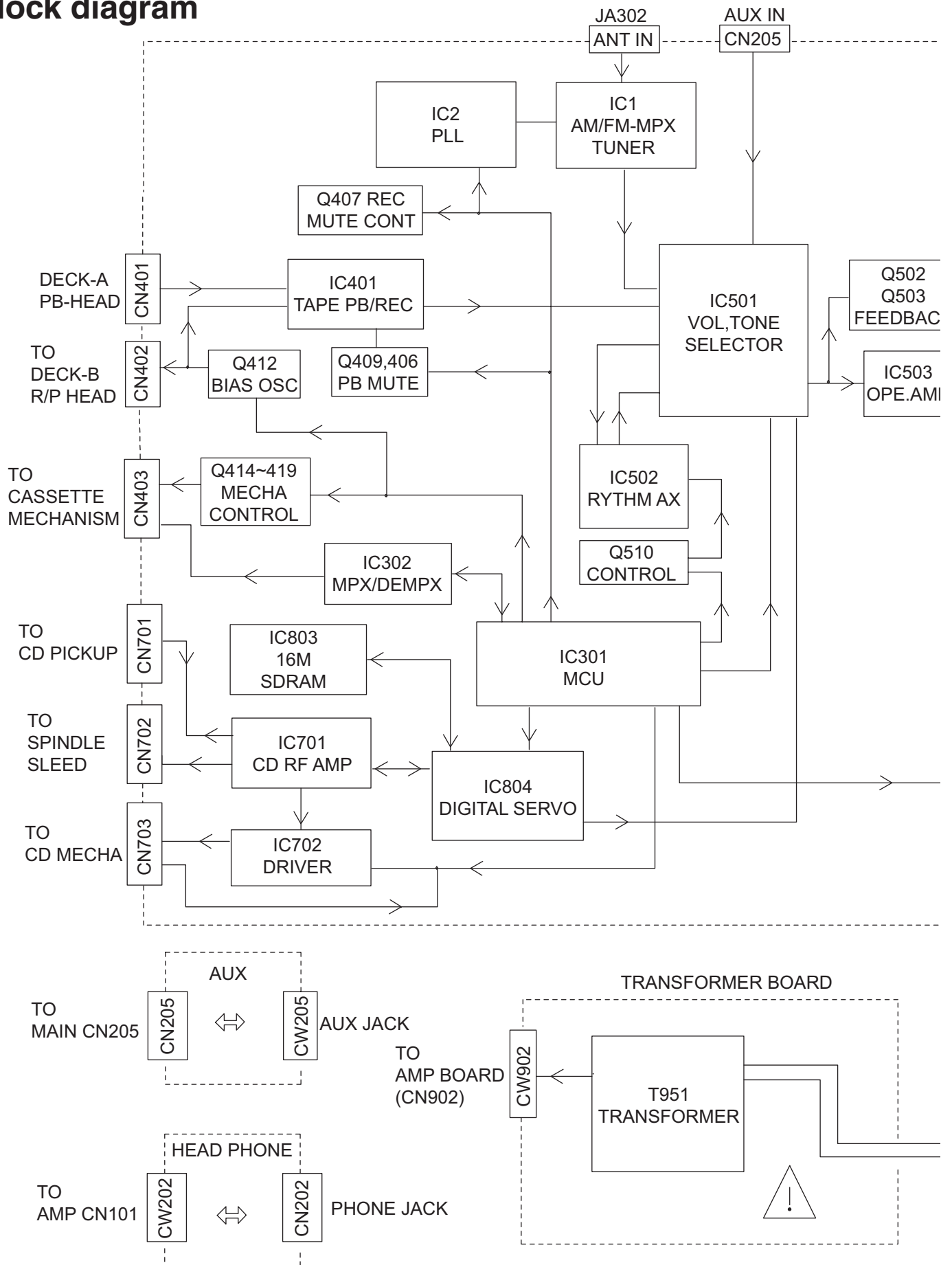
< MEMO >

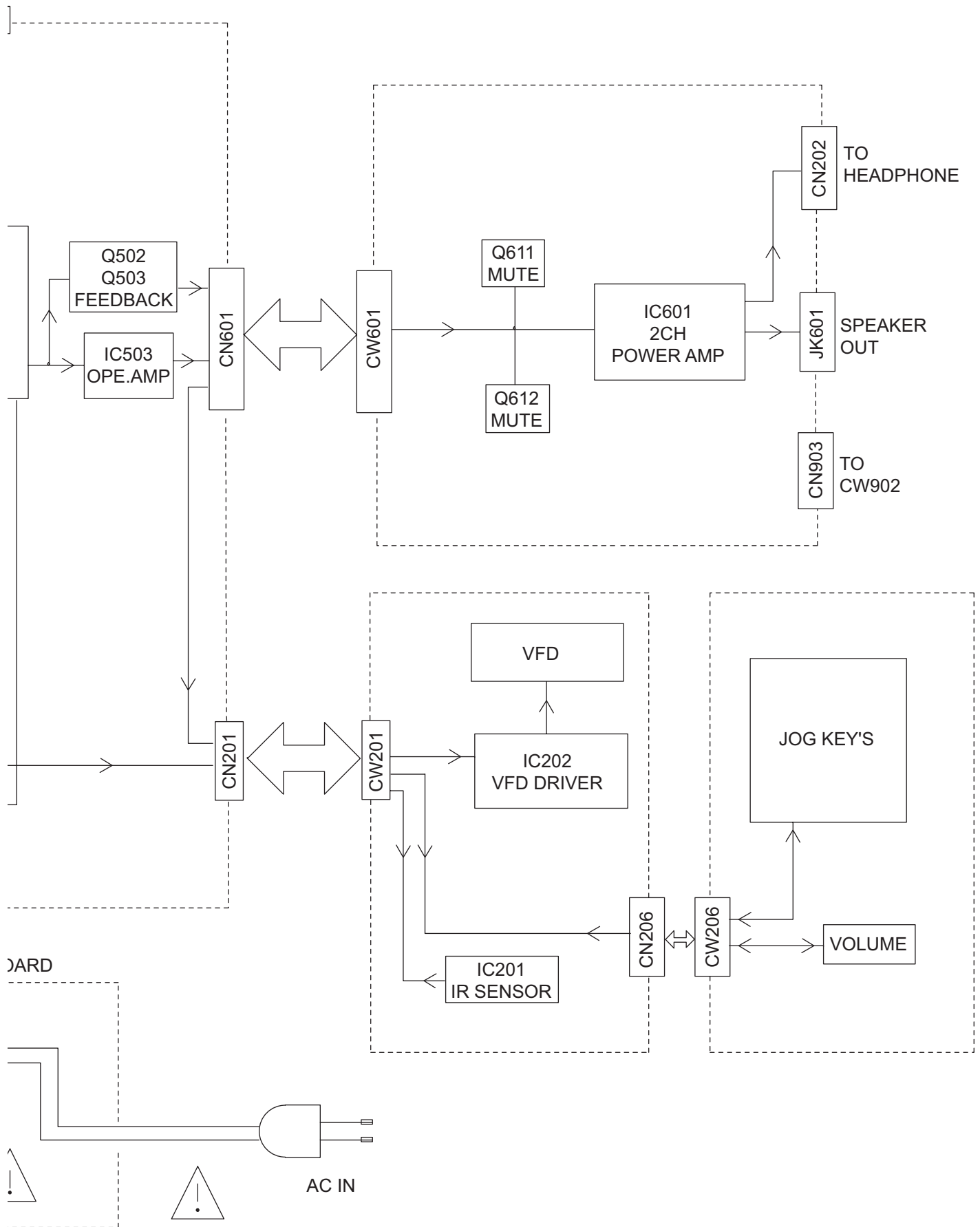
Wiring diagram





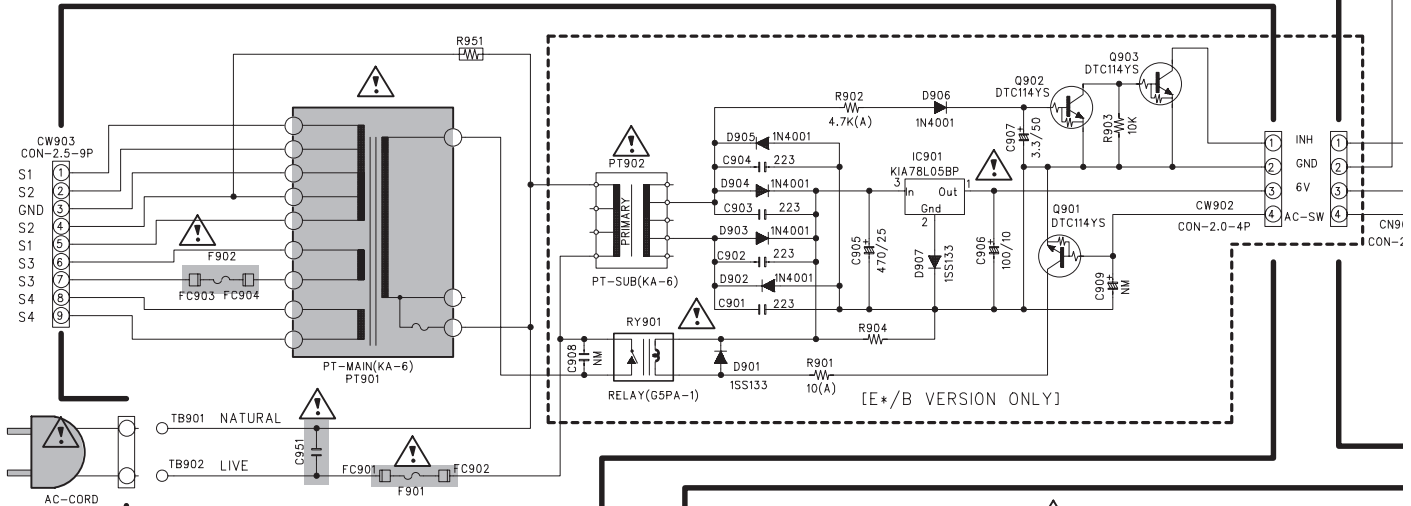
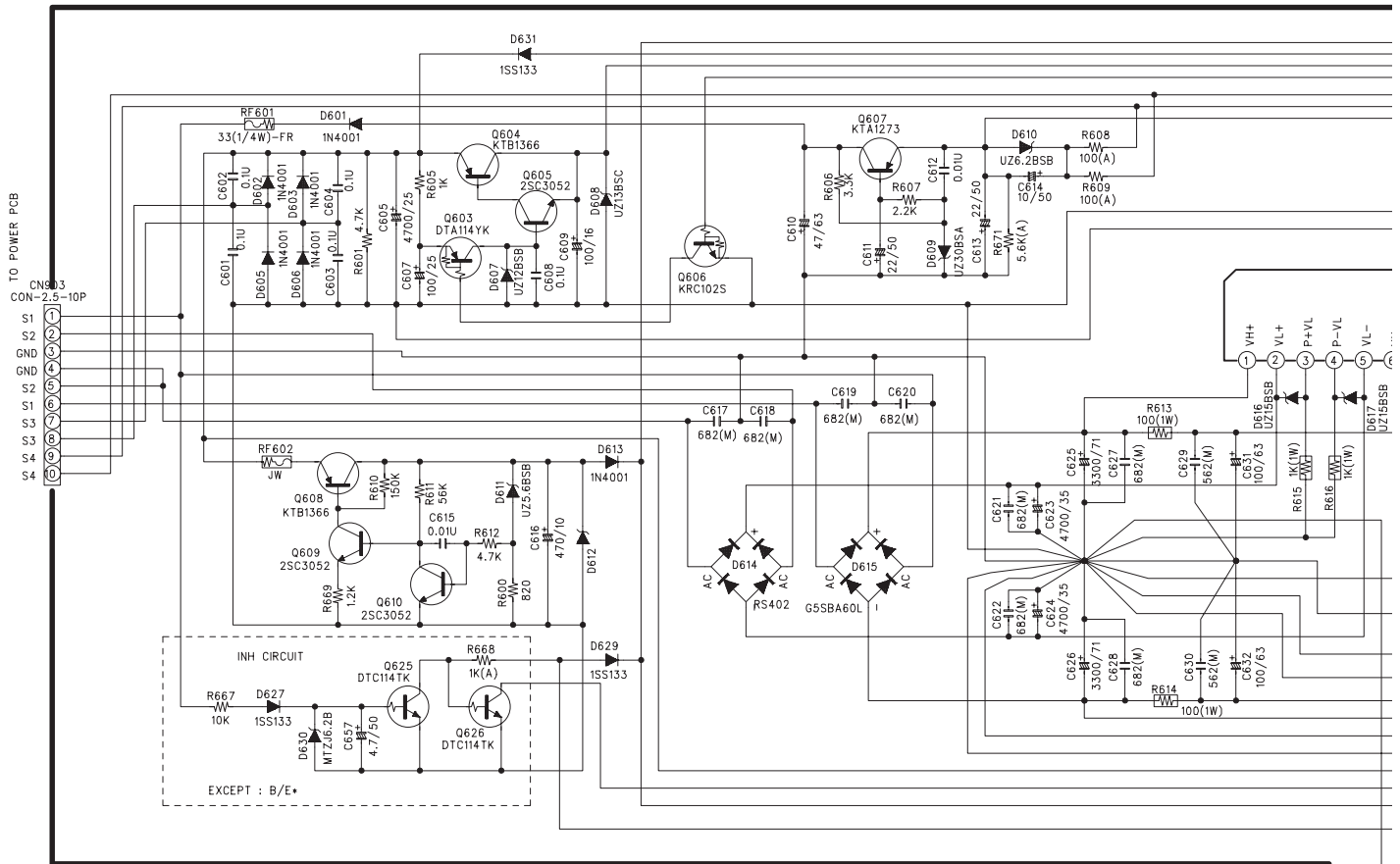
Block diagram





Standard schematic diagrams

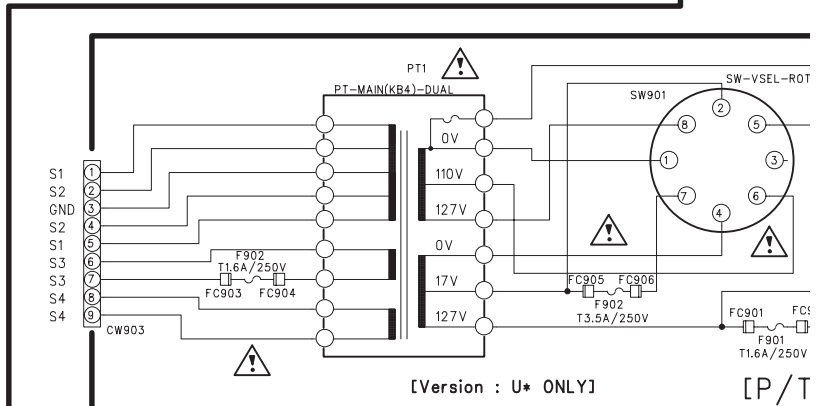
■ CDP/AMP POWER section



[P/T PCB]

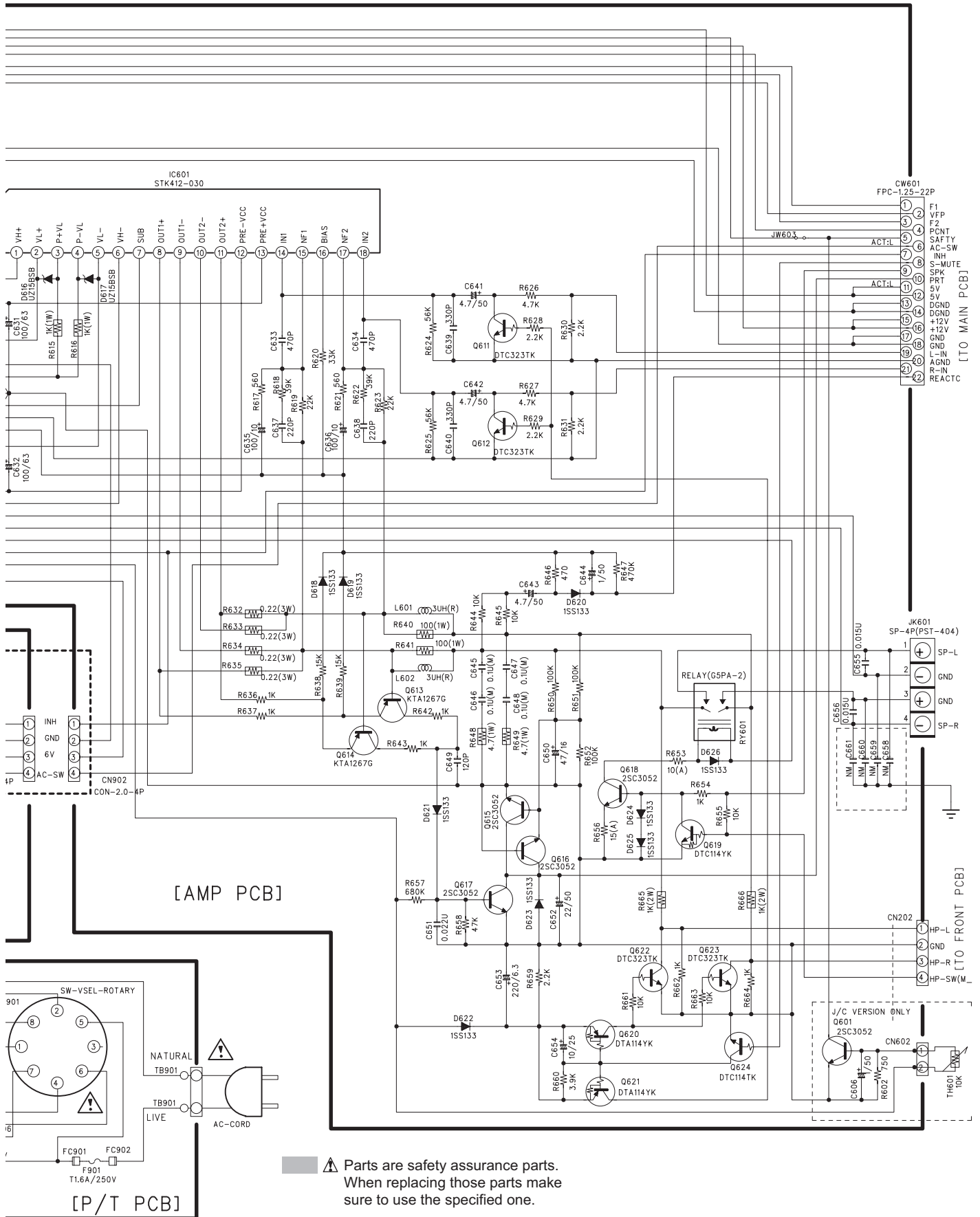
VER.	J/C	E*/B	A
F901	3.5A 250V	T1.6AL250V	
C951	0.22uF/275V		
PT901			
F902	1.6A 250V	T1.6AL250V	

⚠ Parts are safety assurance parts.
When replacing those parts make
sure to use the specified one.



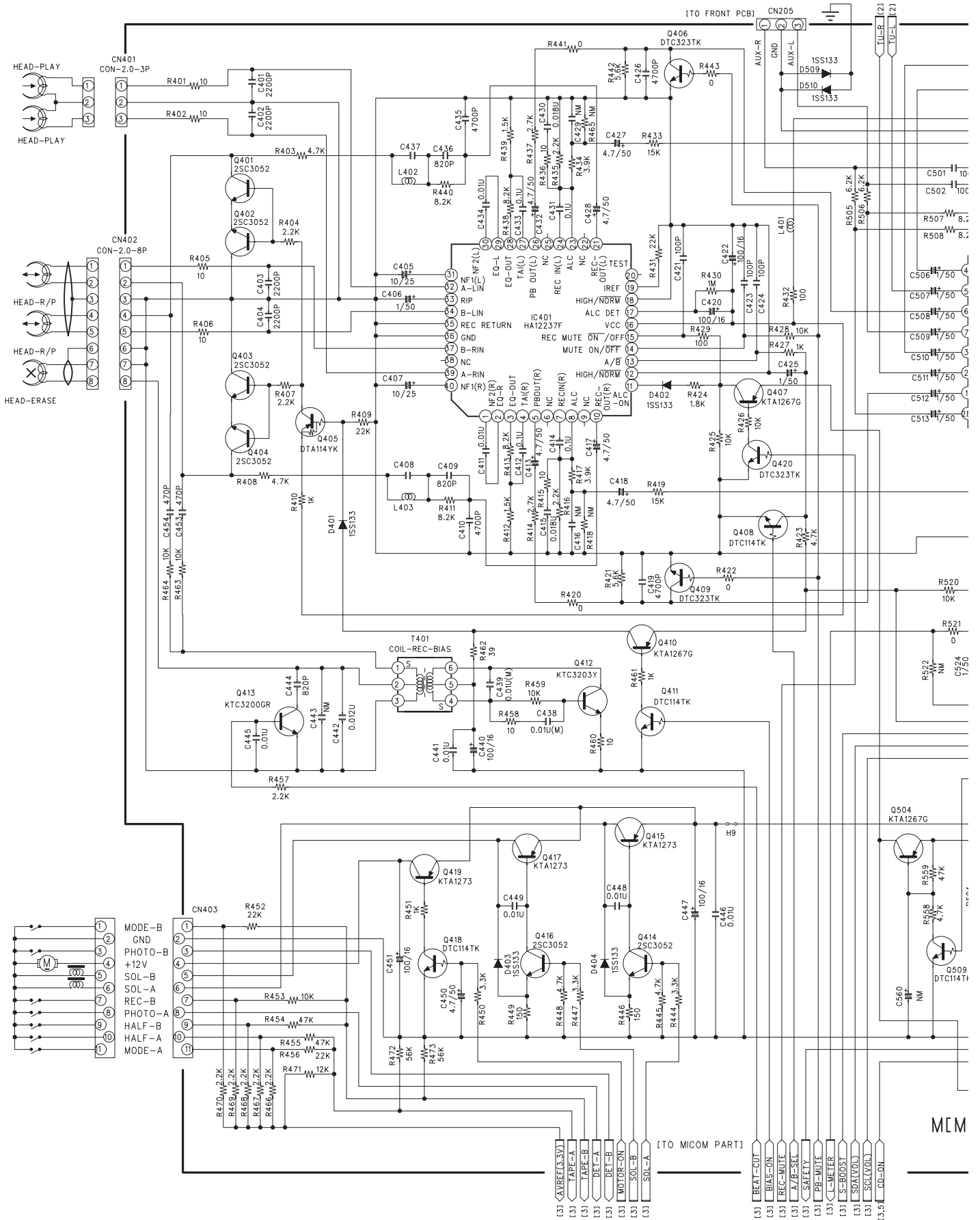
[Version : U* ONLY]

[P/T]

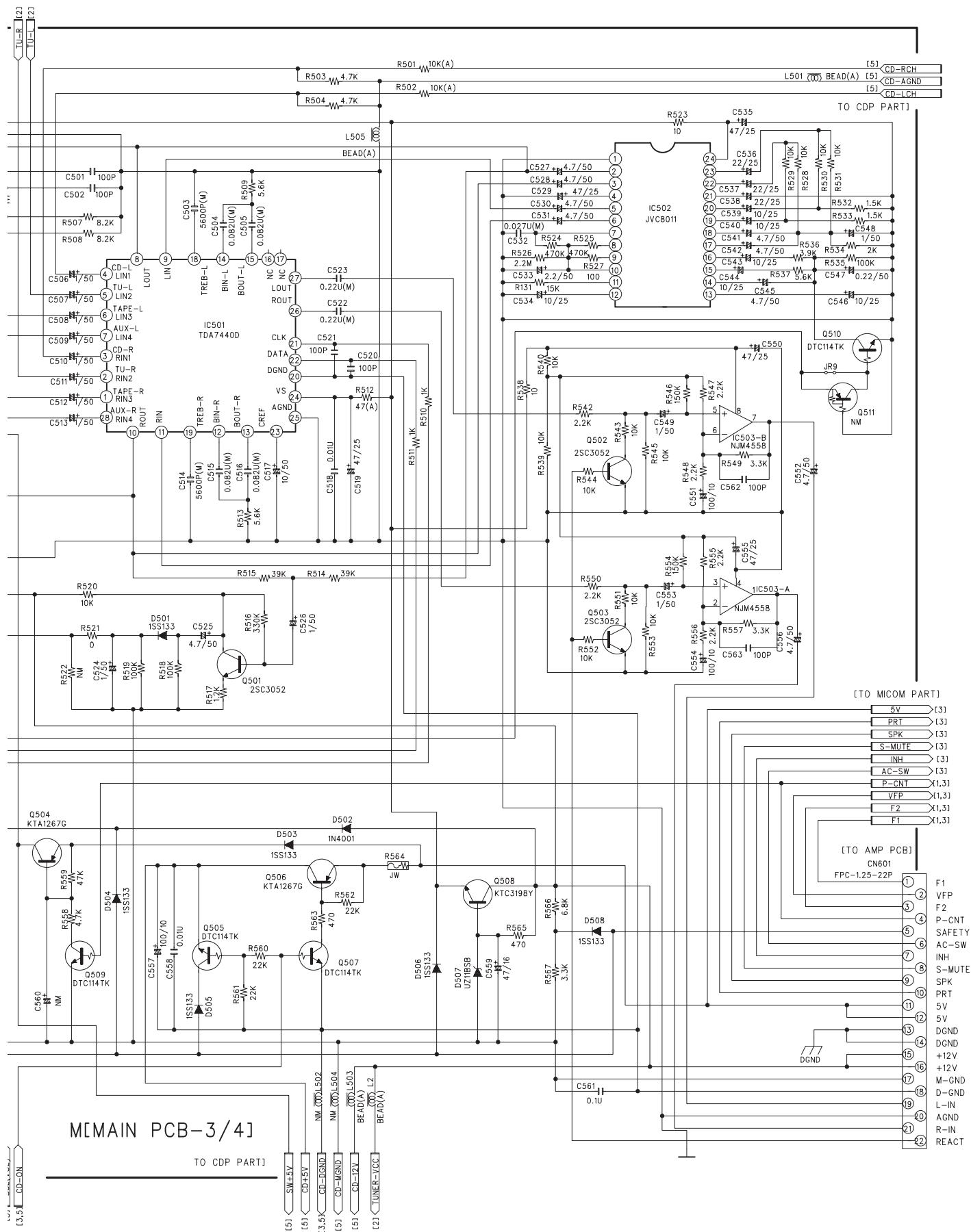


⚠ Parts are safety assurance parts.
When replacing those parts make
sure to use the specified one.

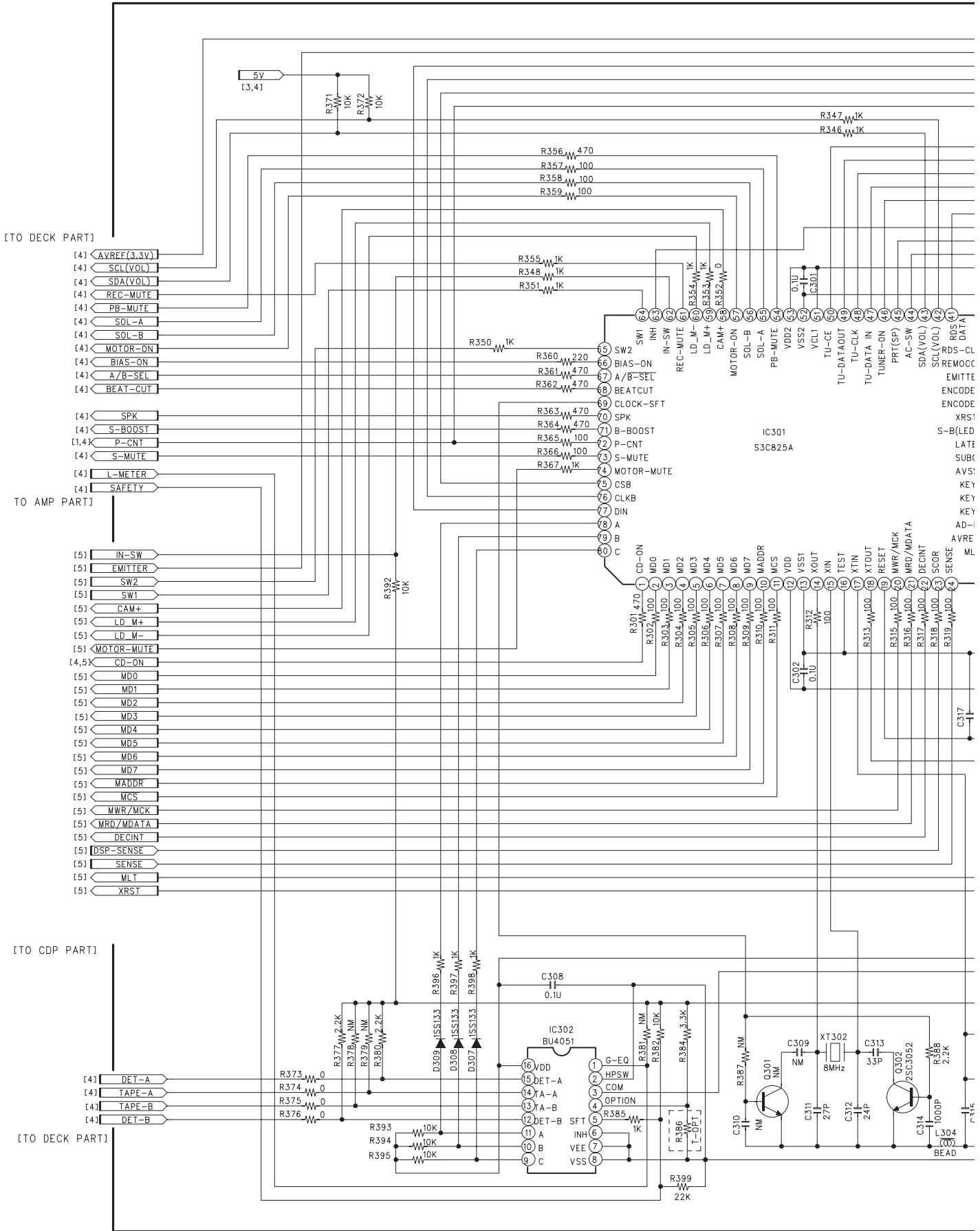
Function section

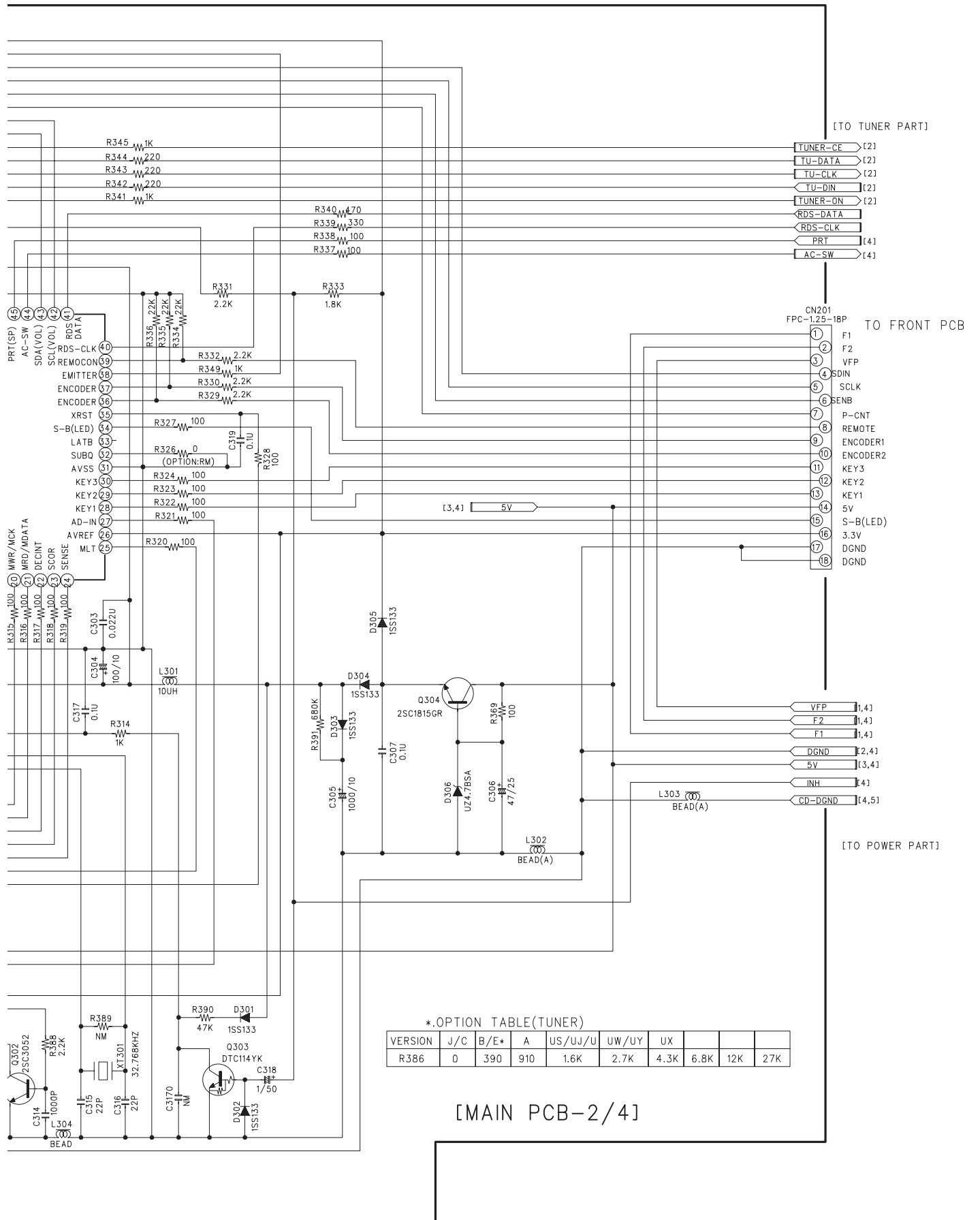


MEM

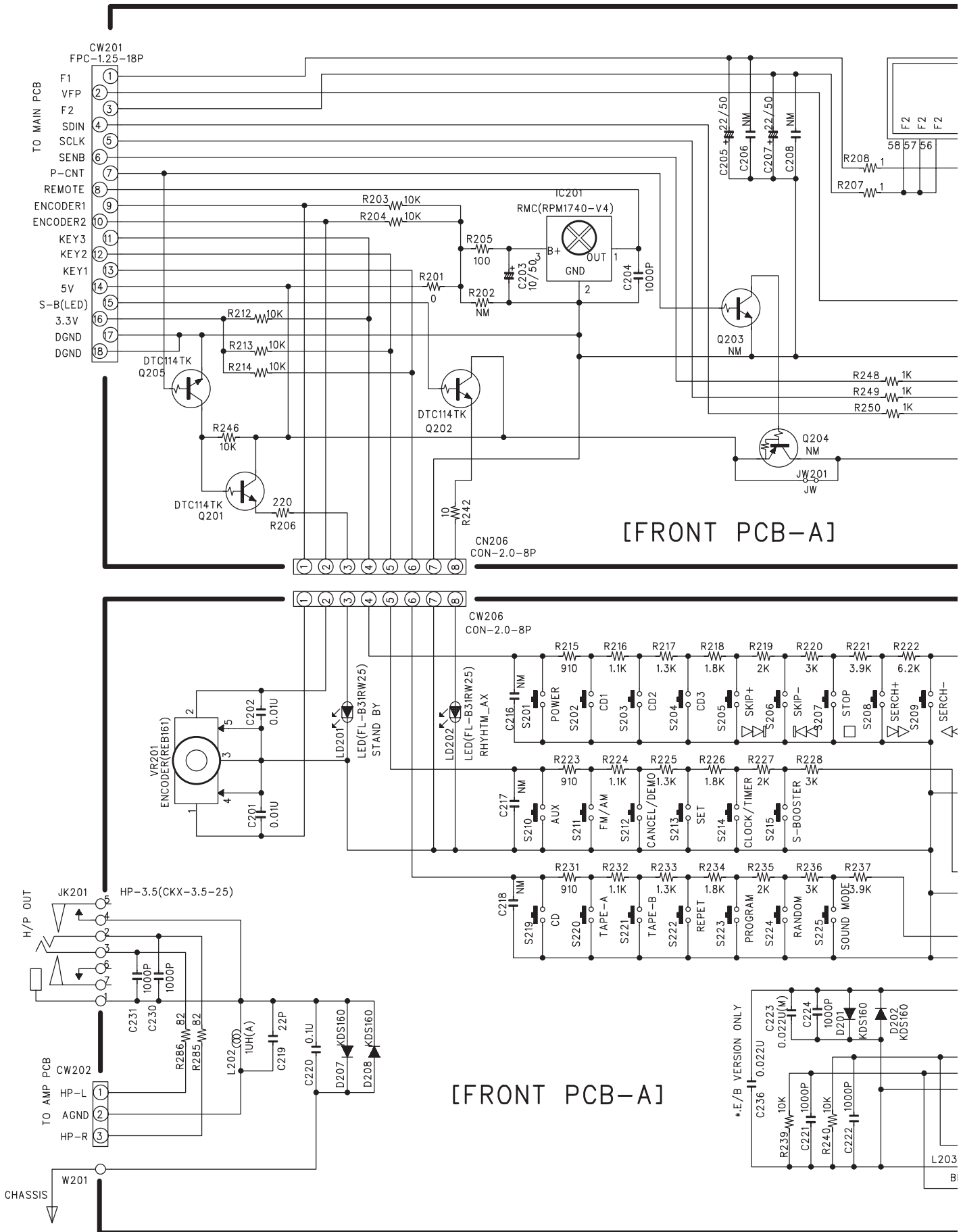


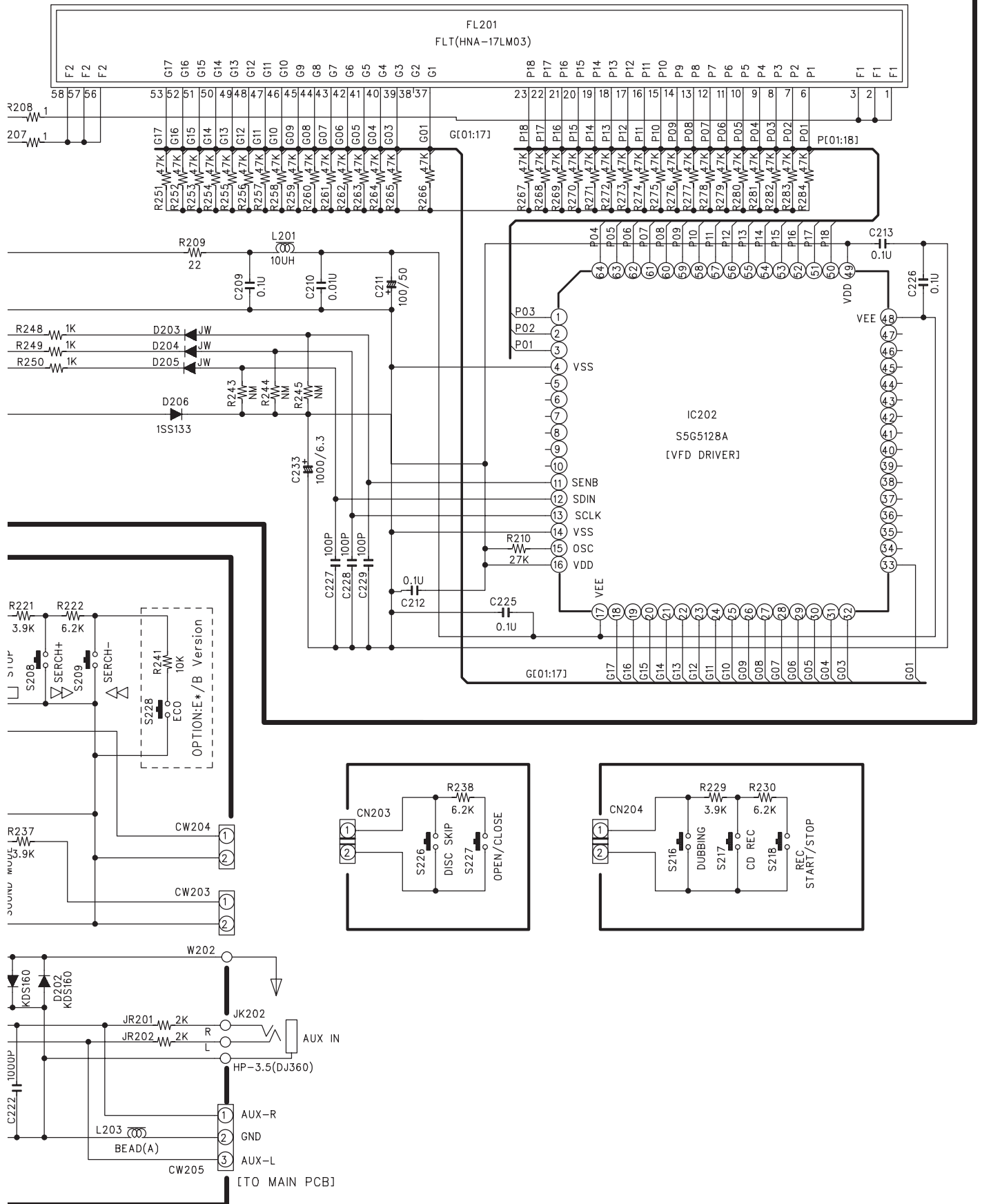
CPU section



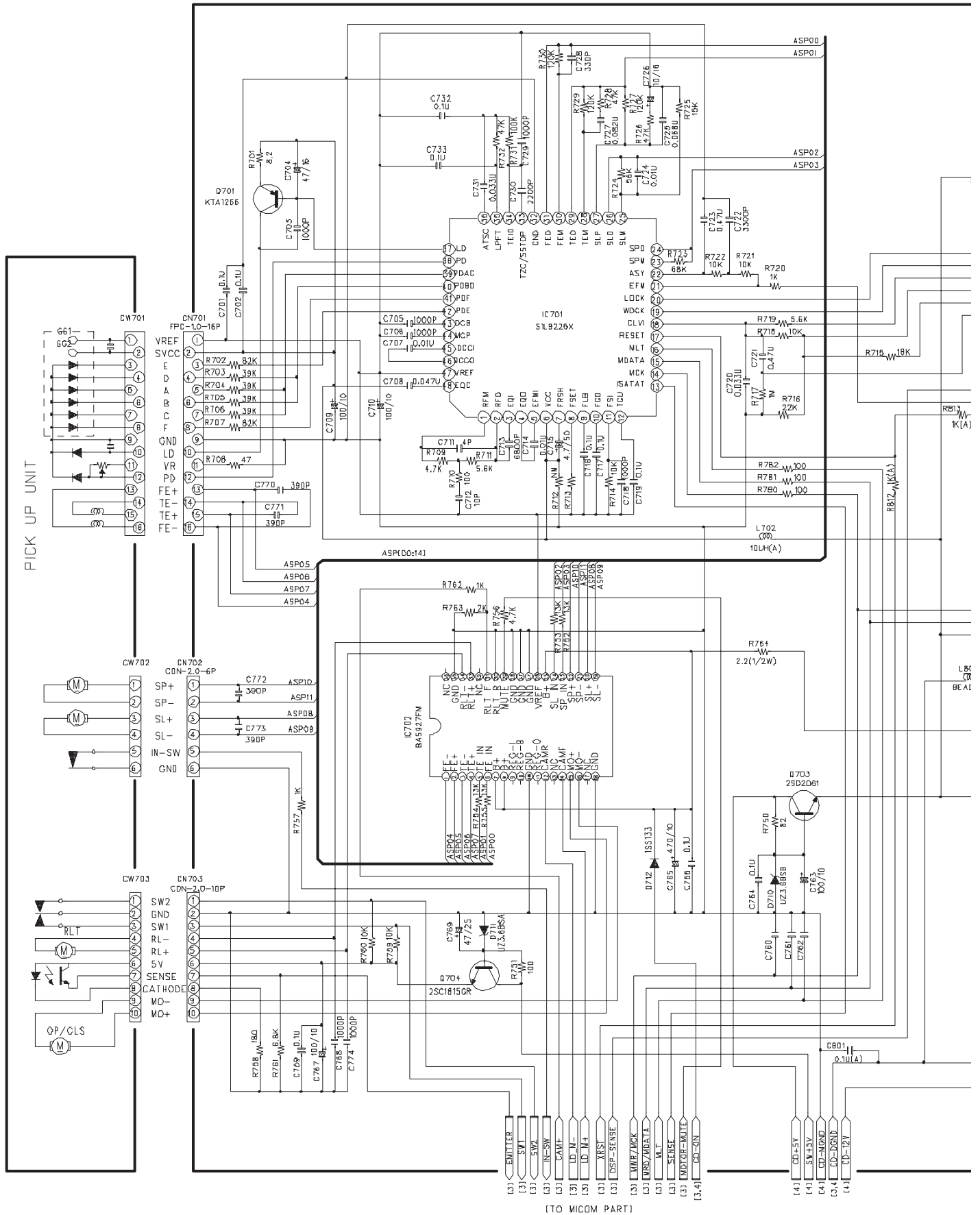


■ FL / Key control section

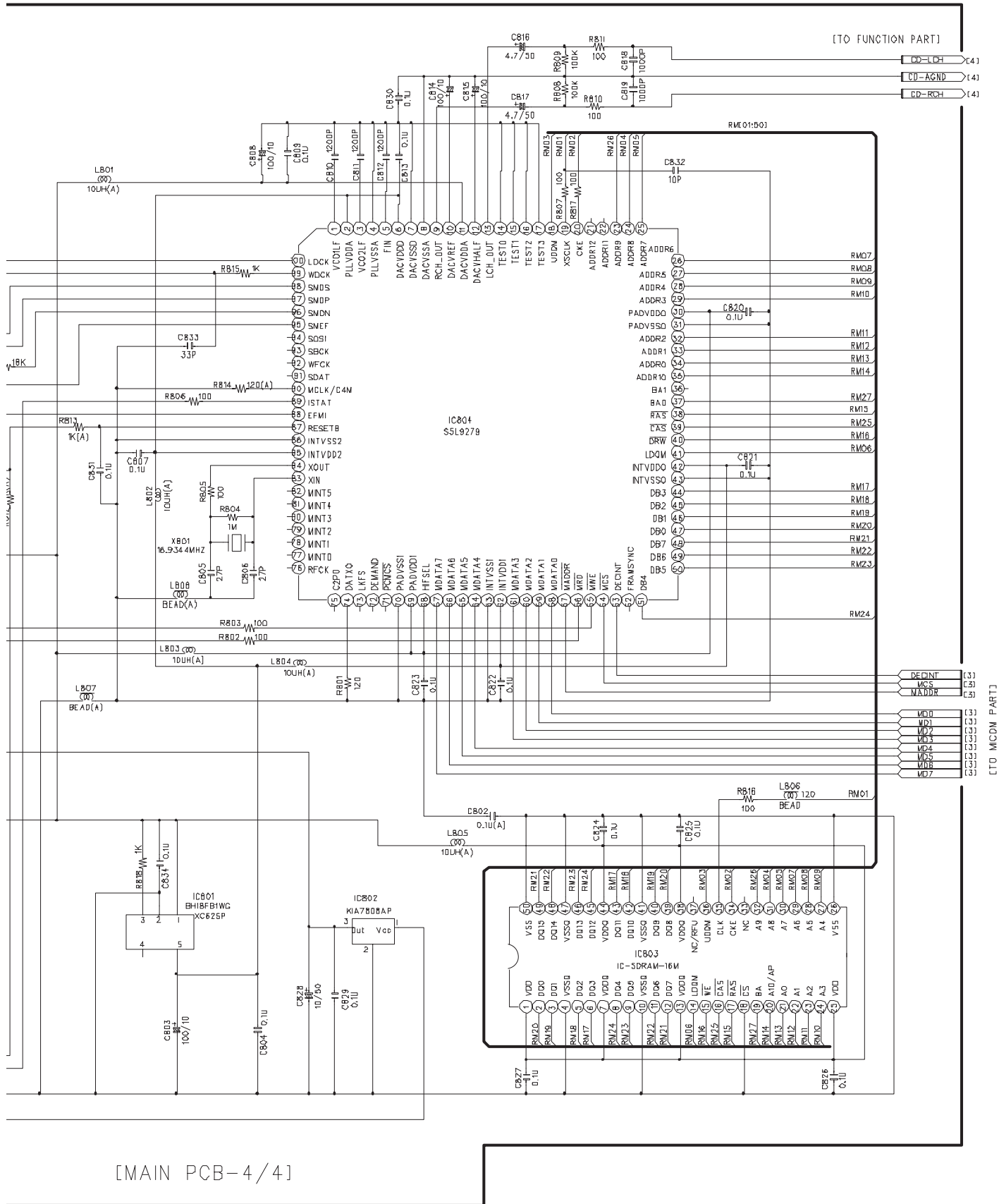




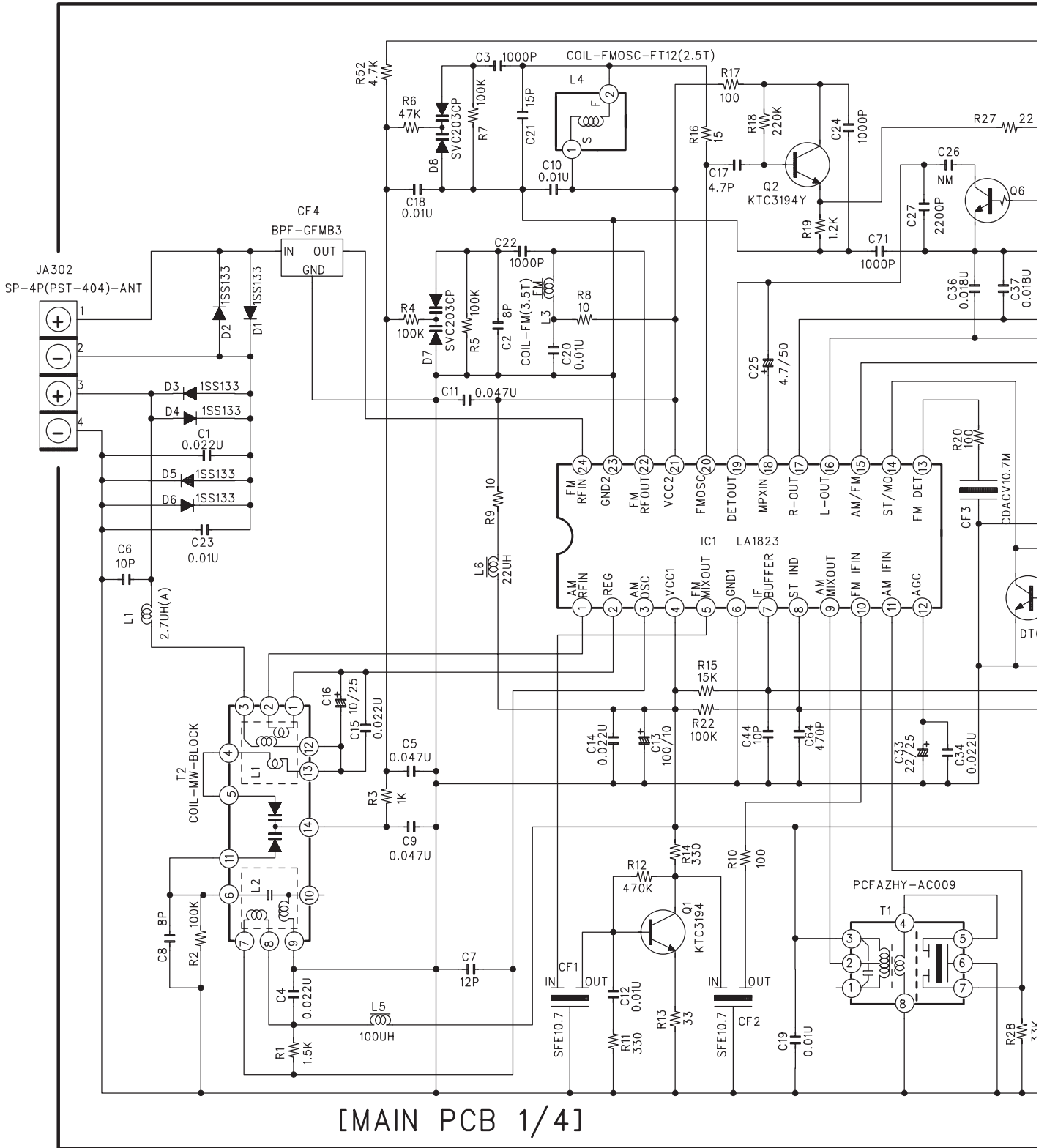
CD MP3 section

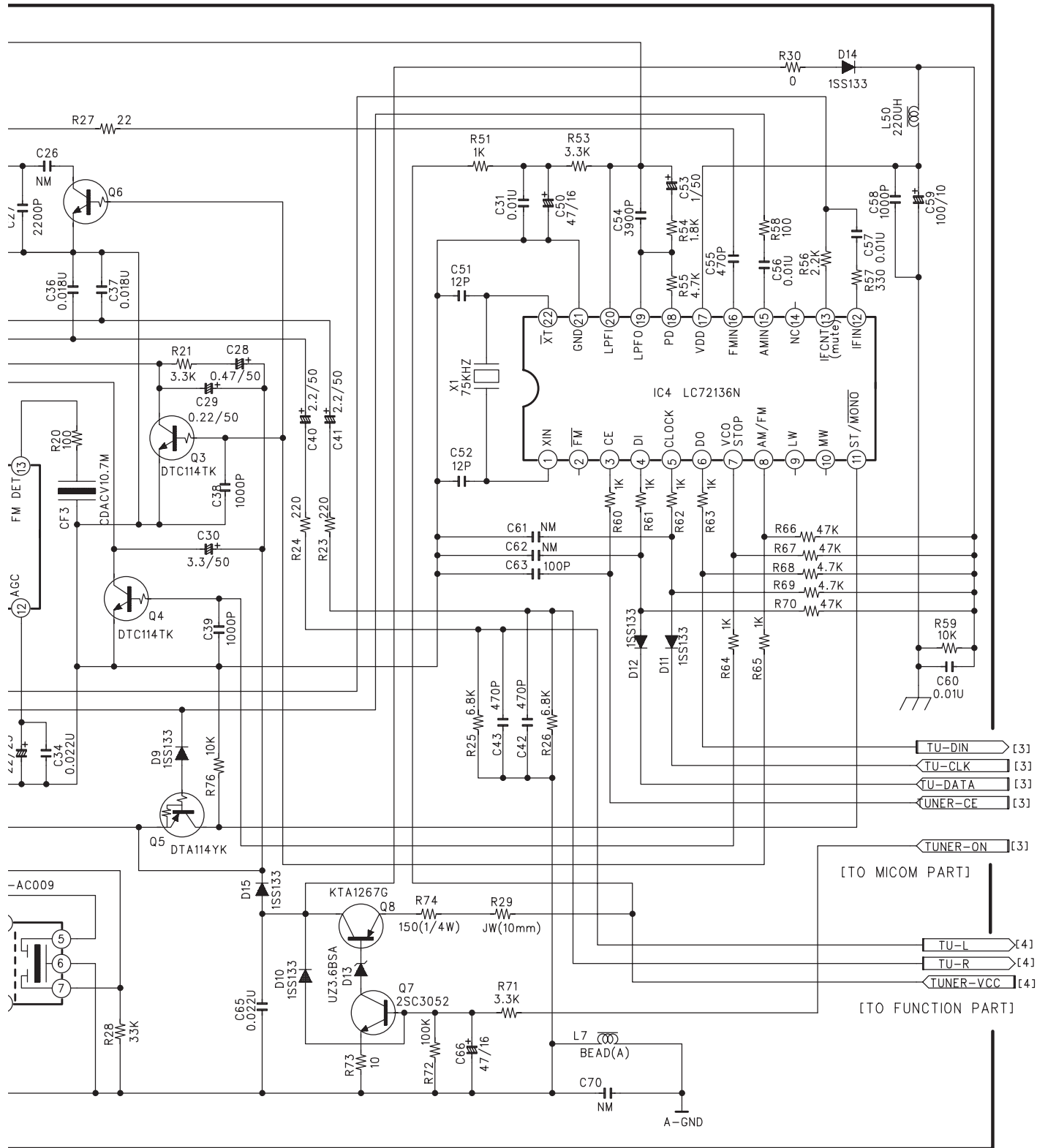


(TO MICOM PART)



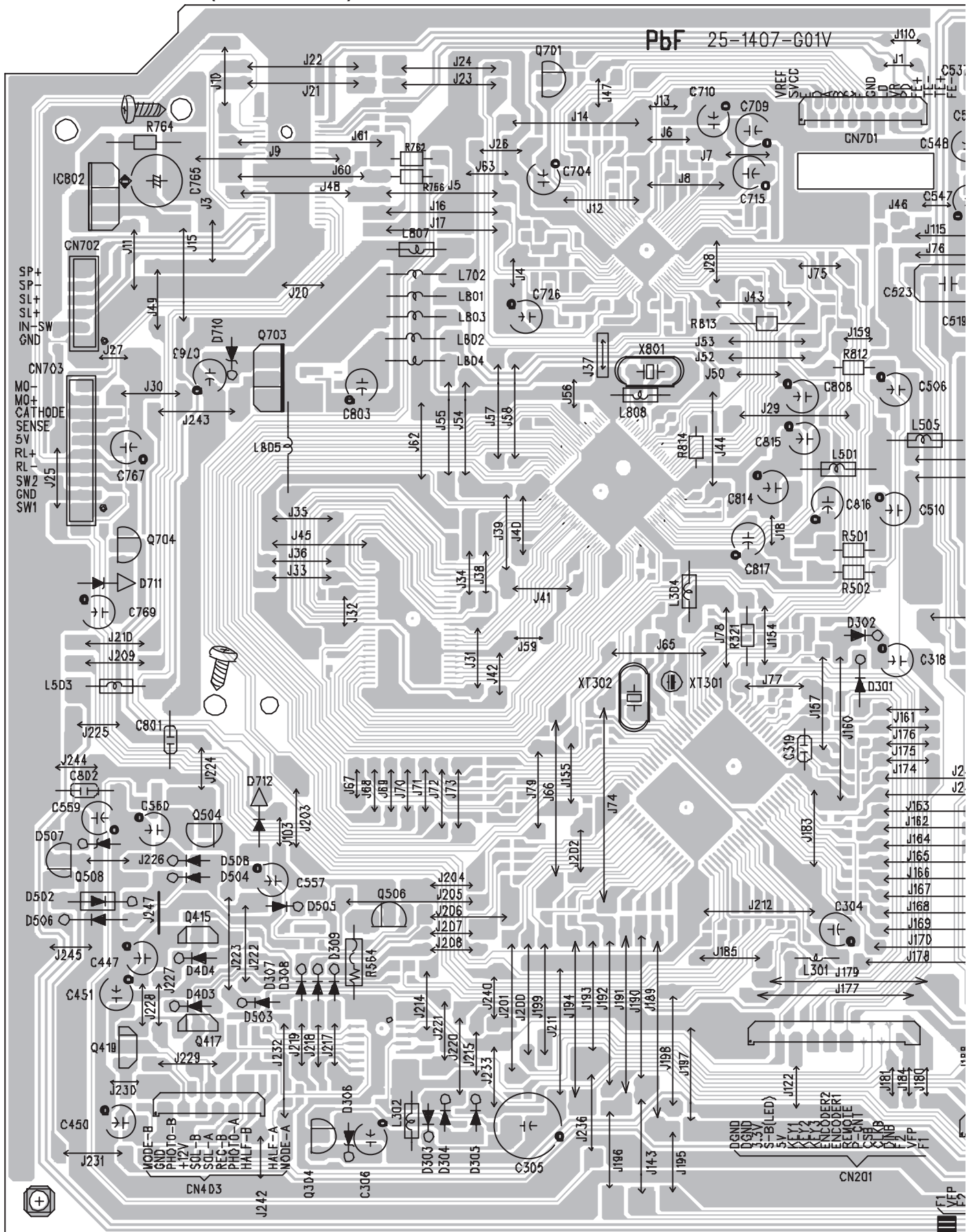
Tuner section

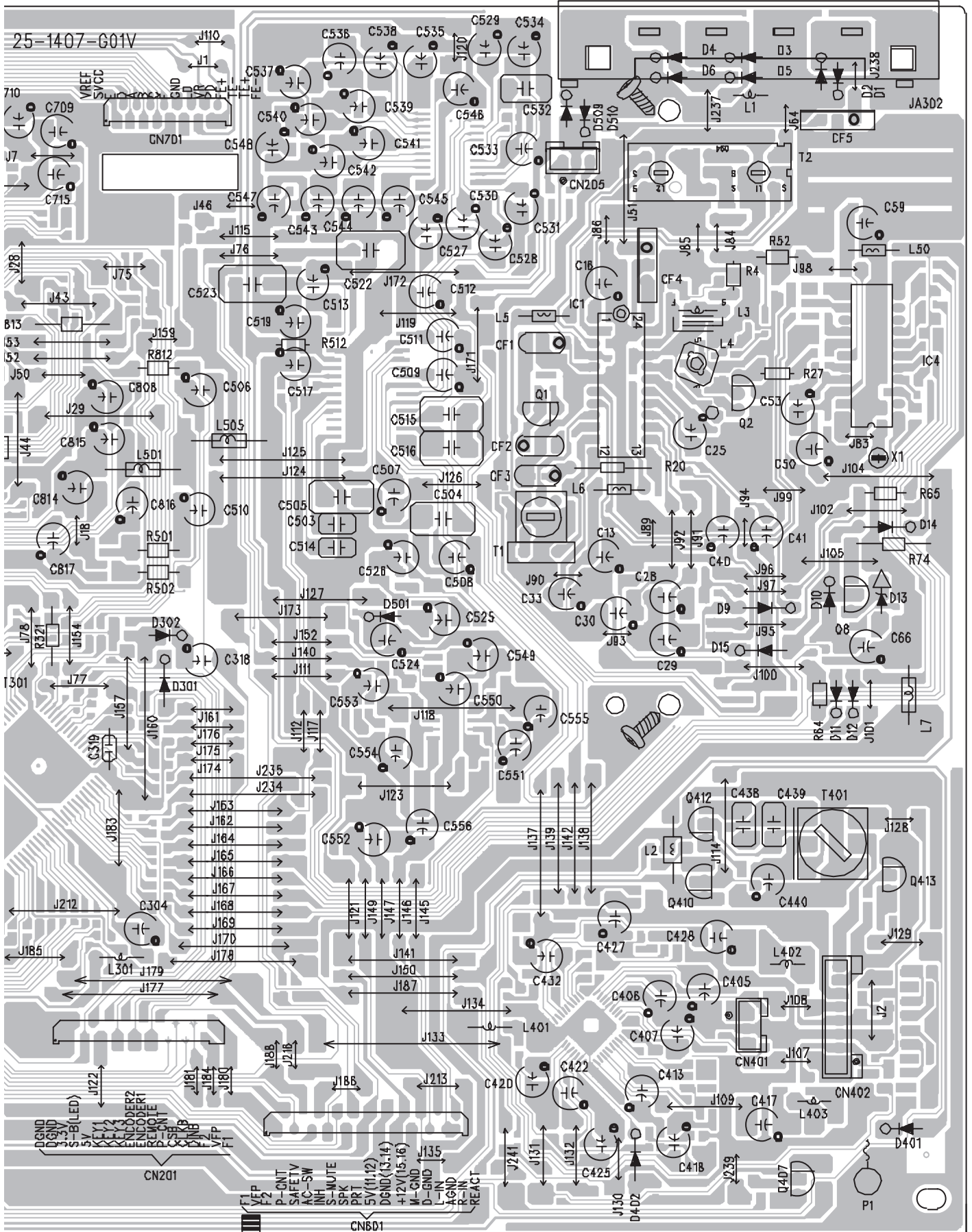




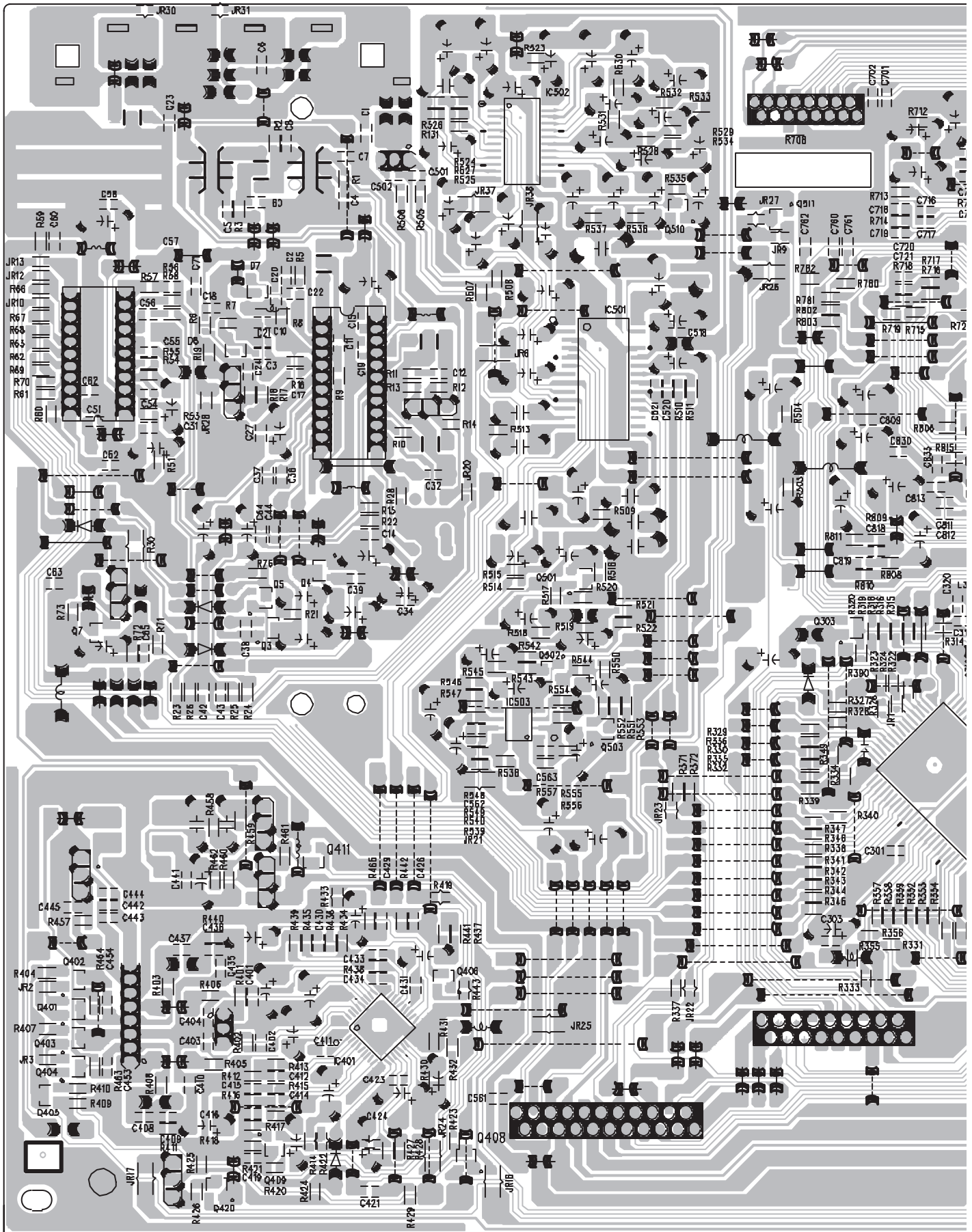
Printed circuit board

■ Main board (forward side)

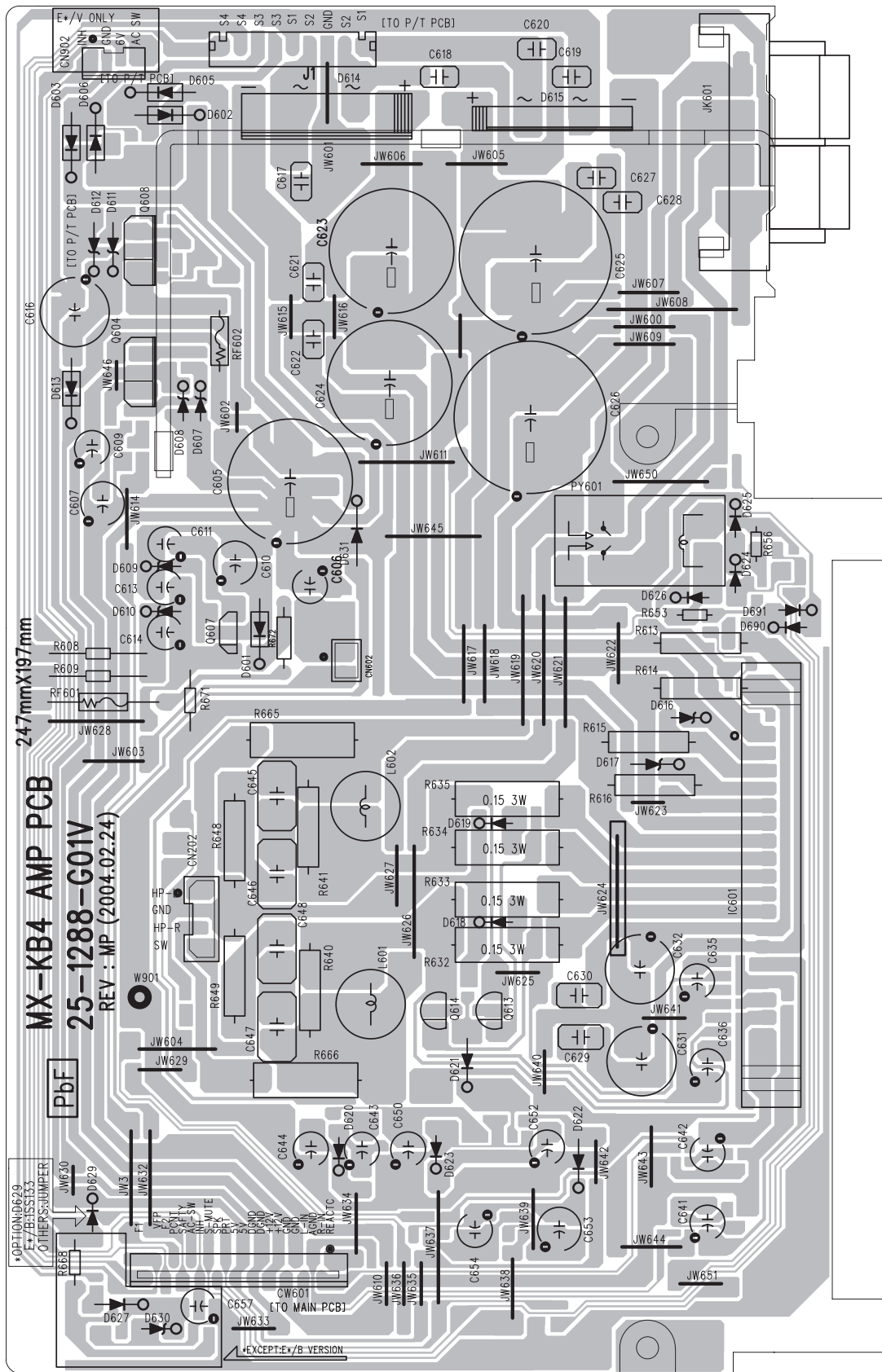




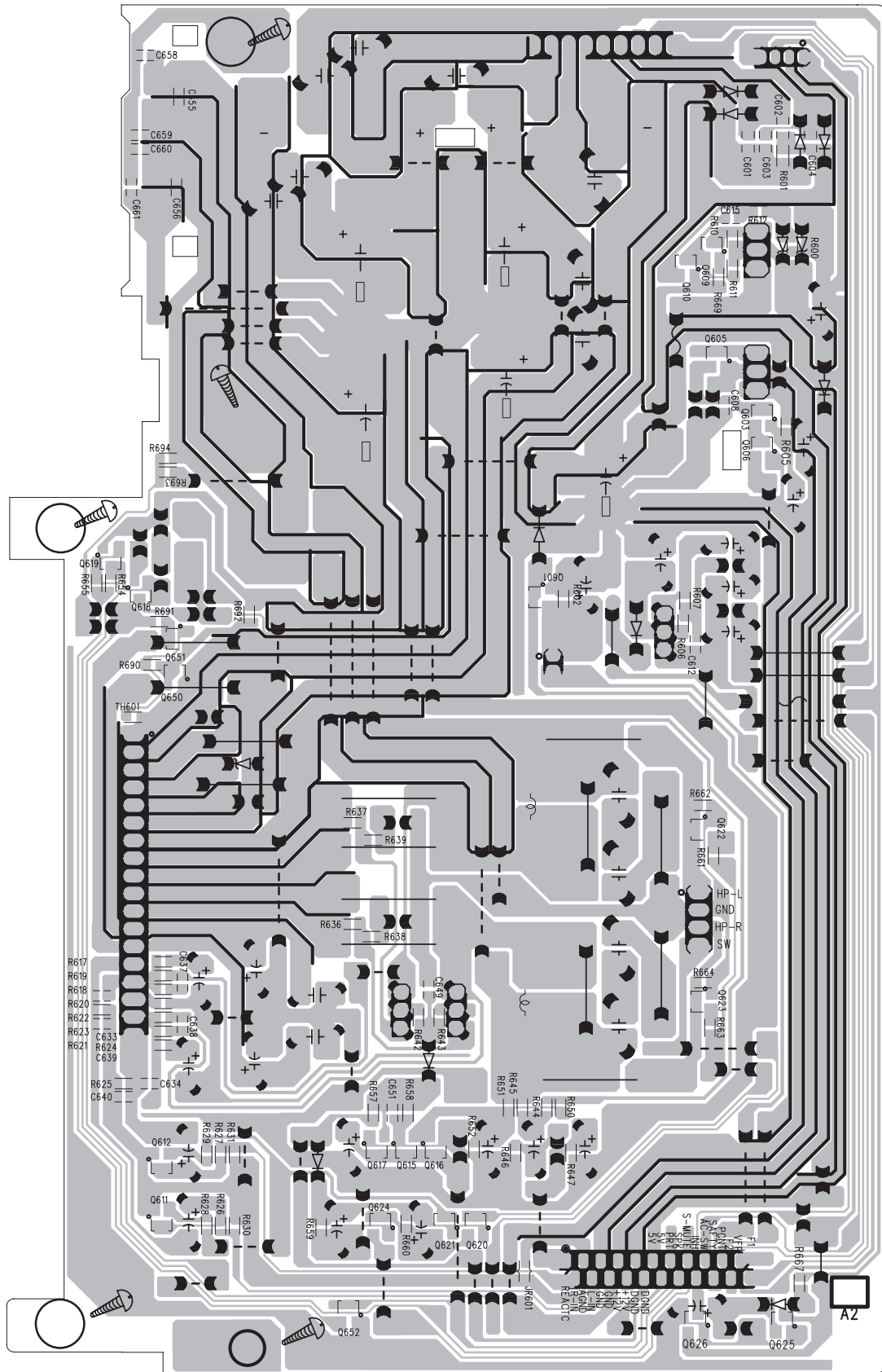
■ Main board (reverse side)



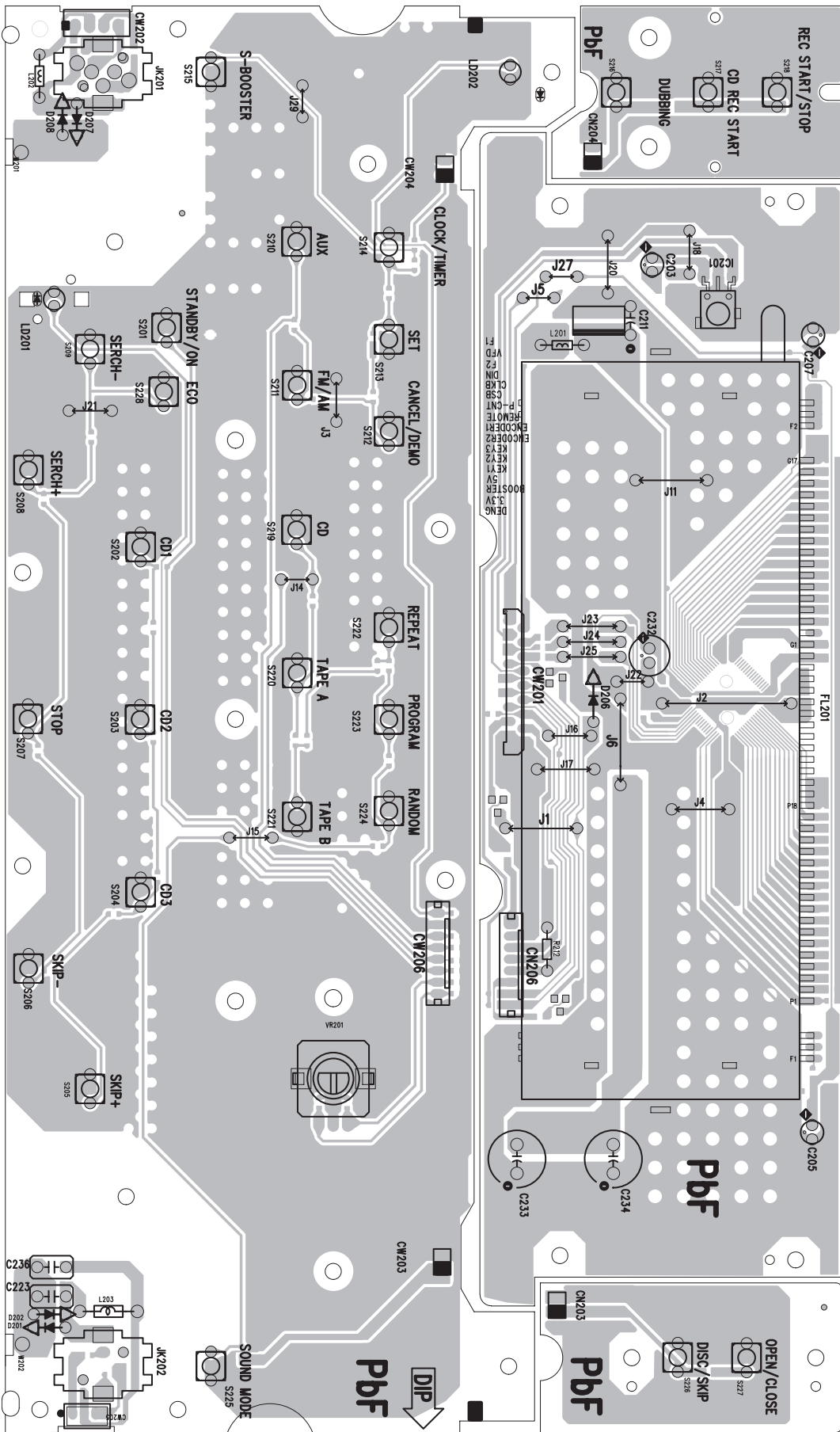
■ Amp board (forward side)



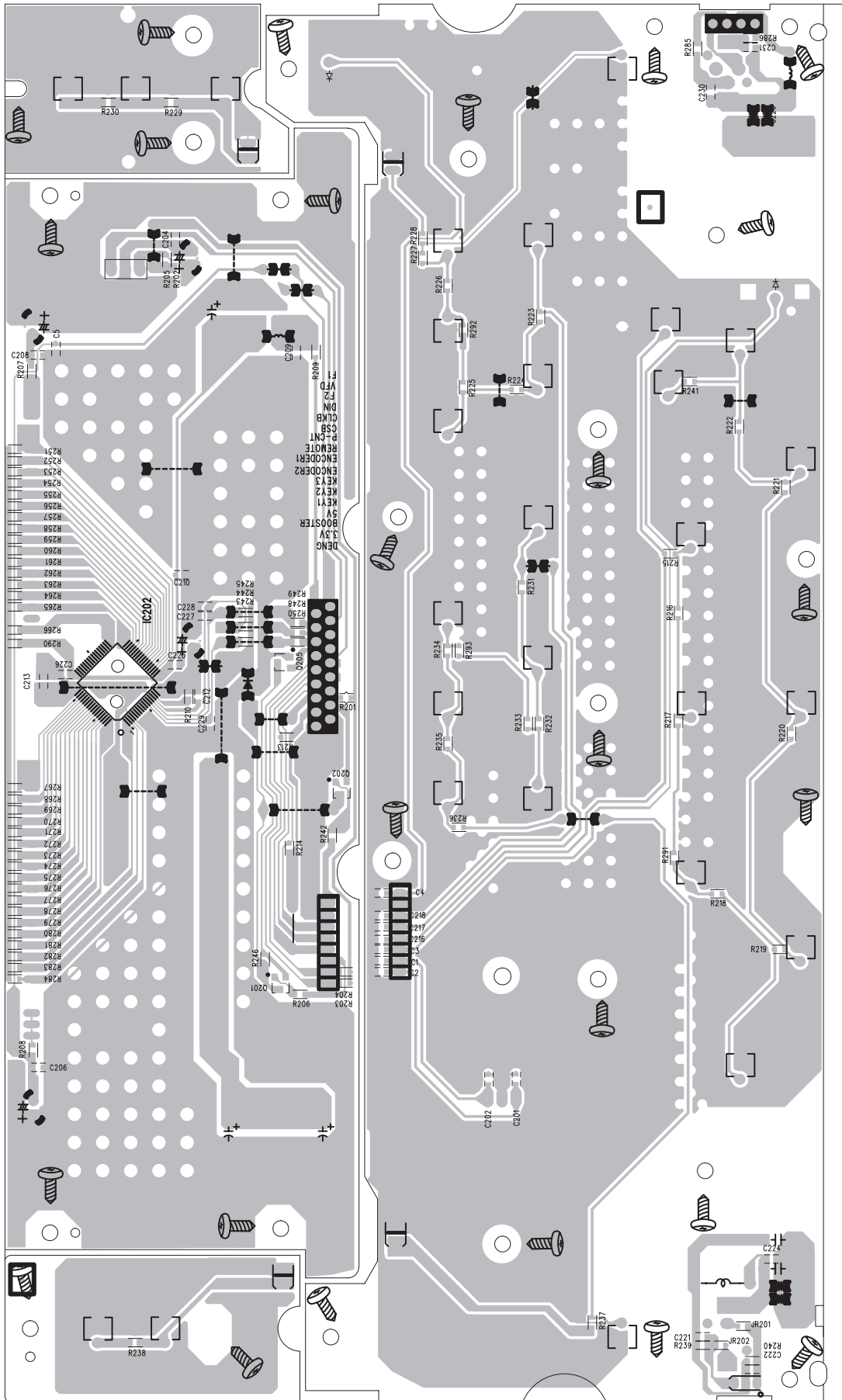
(reverse side)



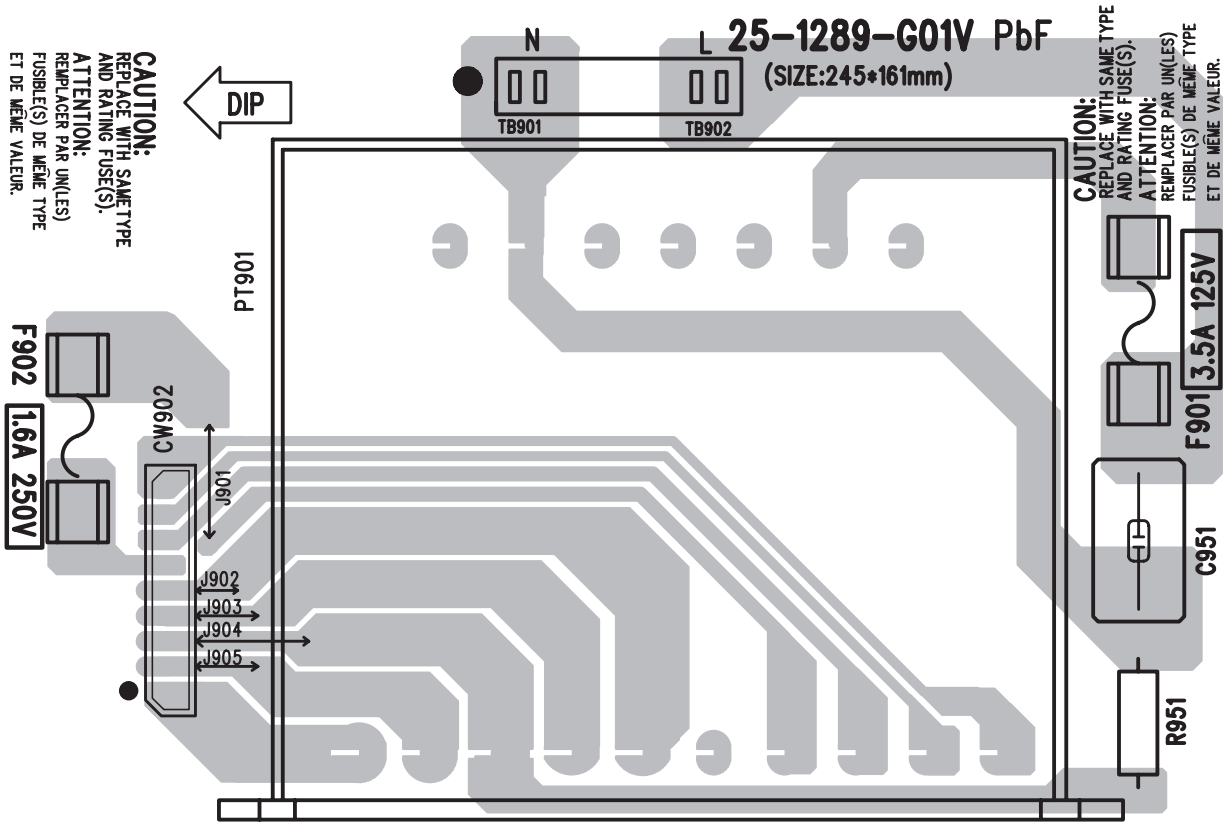
■ Front board (forward side)



(reverse side)



■ Trans board



< MEMO >

JVC

Victor Company of Japan, Limited

AV & MULTIMEDIA COMPANY AUDIO/VIDEO SYSTEMS CATEGORY 10-1,1chome,Ohwatari-machi,Maebashi-city,371-8543,Japan

(No.MB350SCH)



Printed in Japan
VPT